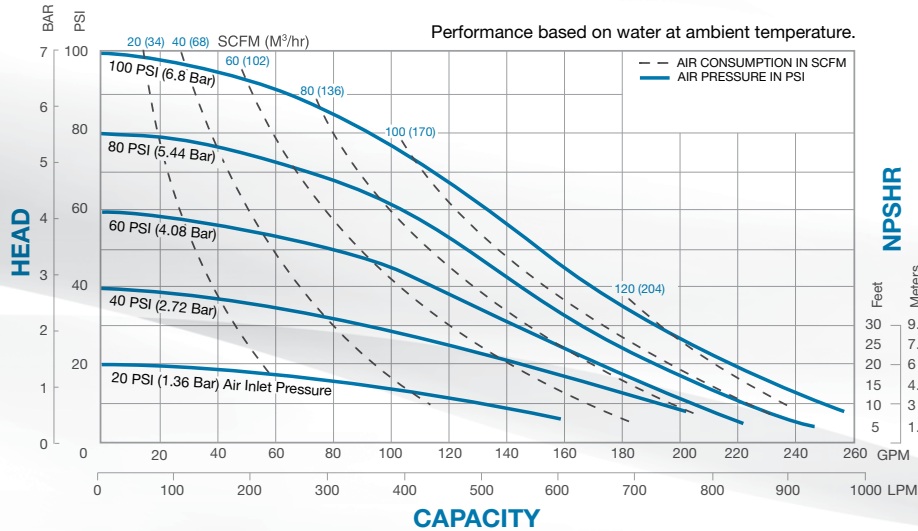


# MODEL DMF3 METALLIC FLAP VALVE TECHNICAL DATA SHEET

Drillers Series Pumps operate on compressed air and are ideal for oil and gas drilling applications.

## PERFORMANCE



## SPECIFICATIONS

**SUCTION / DISCHARGE PORT SIZE**  
3" 150# ANSI Flange

**CAPACITY**  
0 to 260 gallons (988 liters) per minute

**AIR END**  
Aluminum  
Nitrile Elastomers

**WET END**  
Aluminum  
Nitrile Diaphragm / Check Valves

**SOLIDS-HANDLING**  
Up to 3 in. (75mm)

**HEADS UP TO**  
125 psi (8.6 bar) or 289 ft. (88 meters) of water

**MAXIMUM OPERATING PRESSURE**  
125 psi (8.6 bar)

**DISPLACEMENT/STROKE**  
1.62 gallons / 6.15 liters

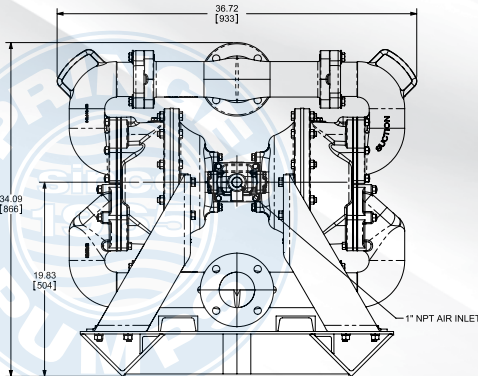
## DIMENSIONS

DMF3S - Skid Base - Flanged  
Dimensions in inches (mm dimensions in brackets)  
Dimensional Tolerance: ±1/8" (±3mm)

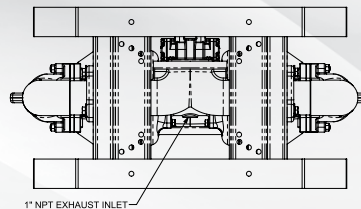


# DRILLERS SERIES

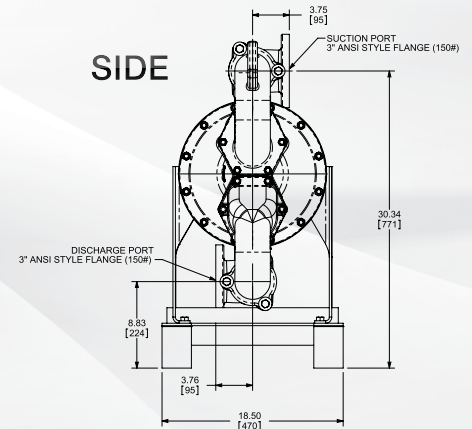
### FRONT



### BOTTOM



### SIDE



**SANDPIPER®**  
SANDPIPERPUMP.COM

Warren Rupp, Inc. • A Unit of IDEX Corporation



dmf3mdl1ds\_color\_rev0615